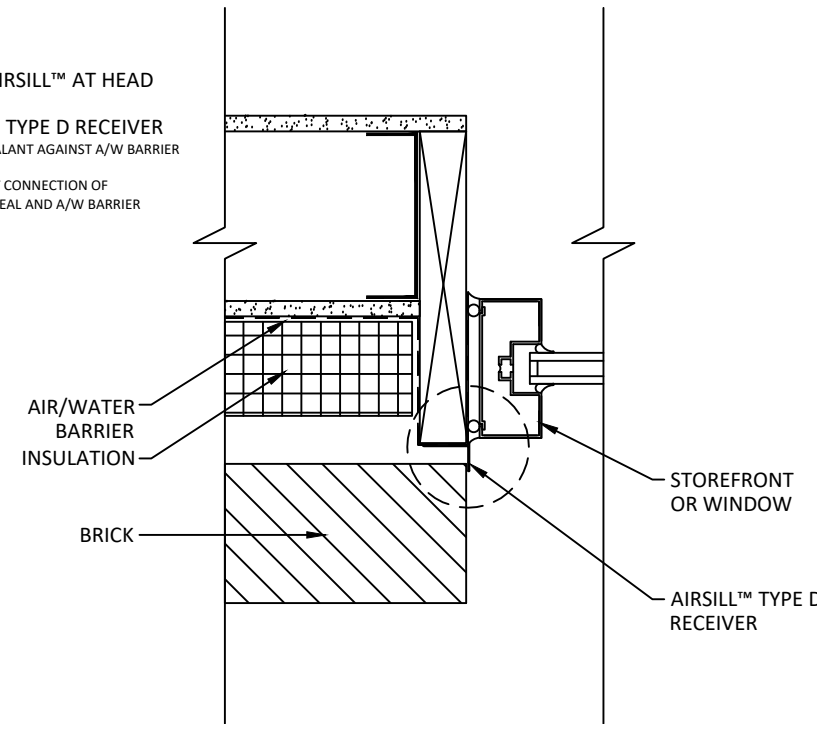
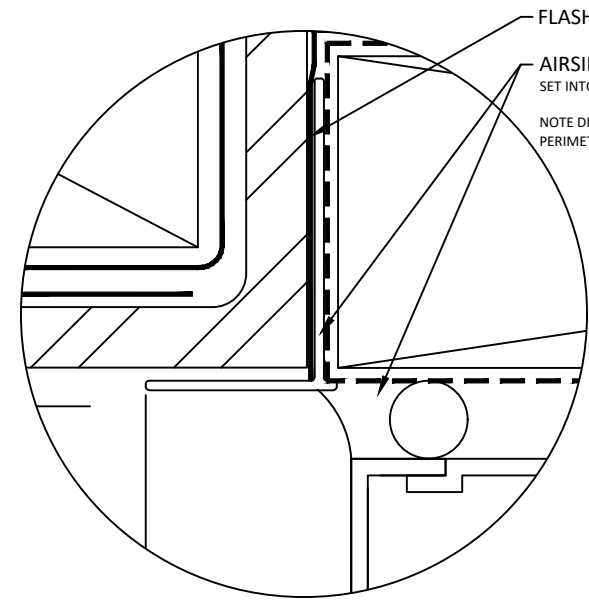
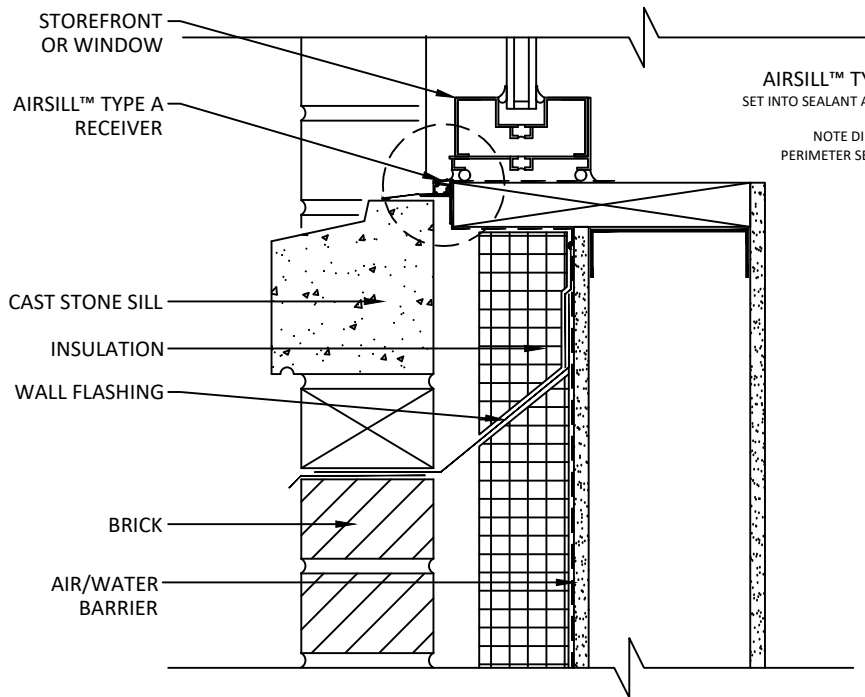
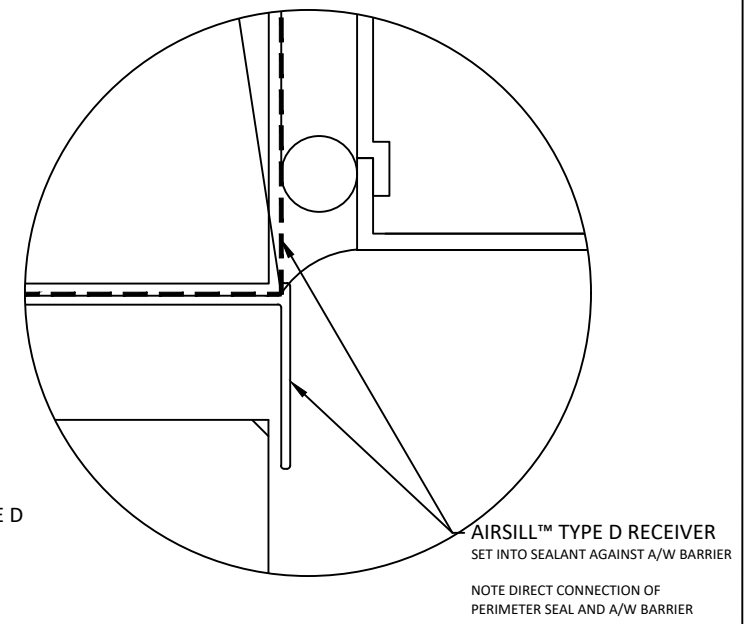


**HEAD CONDITION**

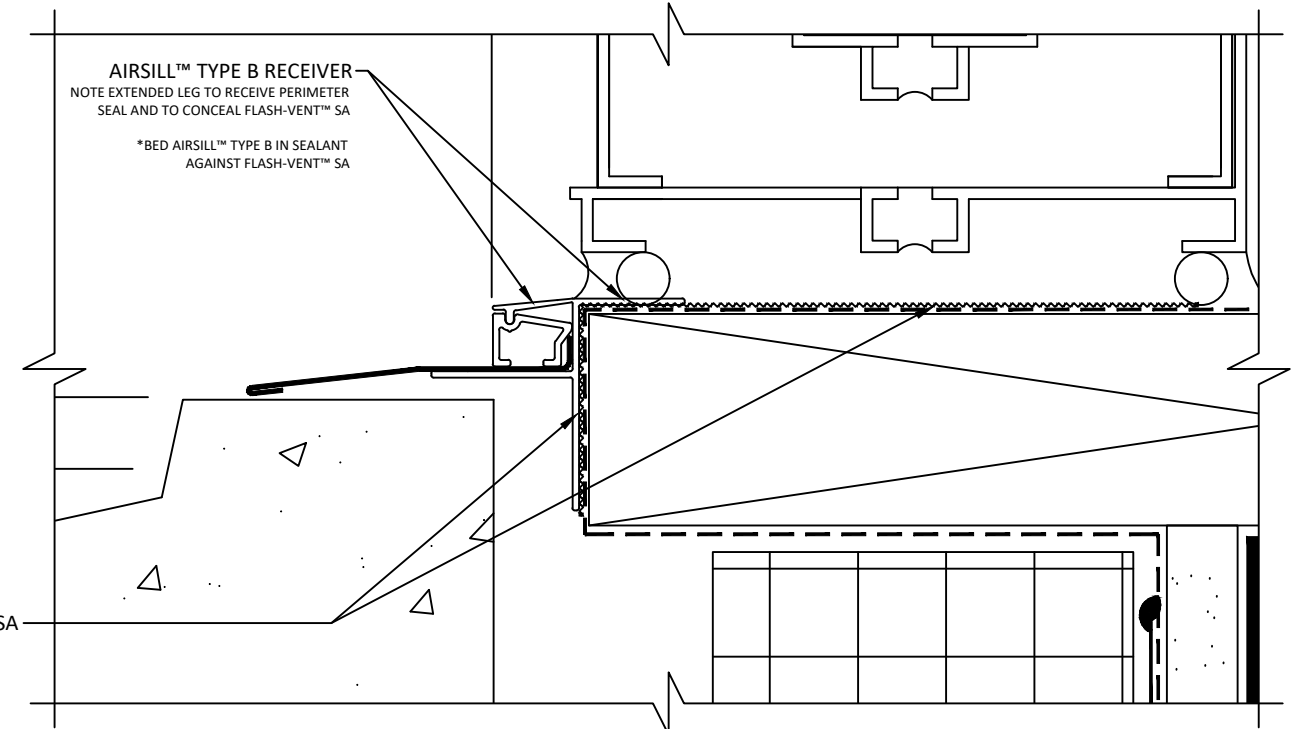
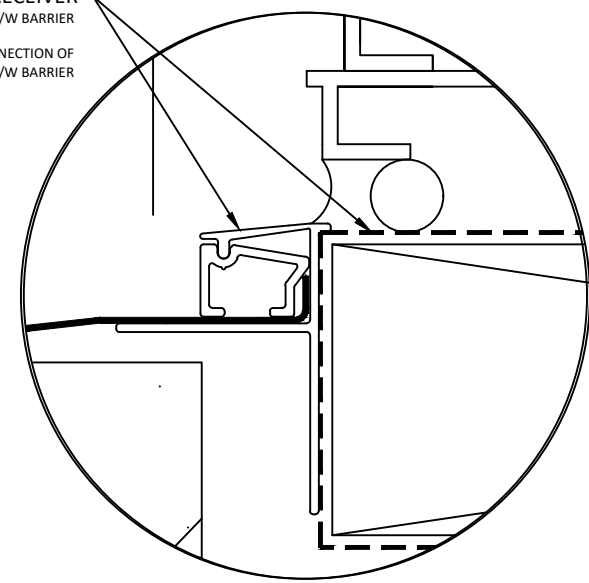


**JAMB CONDITION**



**SILL CONDITION**

AIRSILL™ TYPE A RECEIVER  
SET INTO SEALANT AGAINST A/W BARRIER  
NOTE DIRECT CONNECTION OF PERIMETER SEAL AND A/W BARRIER



**ALTERNATE SILL OPTION - INCORPERATES YORK FLASH VENT**

NOTE: REFERENCE THE FOLLOWING SHEETS FOR ADDITIONAL INFORMATION:

- AIRSILL™ TYPE A ELEVATIONS - STOREFRONT
- AIRSILL™ TYPE A INSTALLATION SEQUENCE (SILL)
- AIRSILL™ TYPE A INSTALLATION SEQUENCE (PERIMETER)

AS A MANUFACTURER OF CONSTRUCTION MATERIALS, YORK MANUFACTURING, DOES NOT ASSUME RESPONSIBILITY FOR ERRORS IN DESIGN OR ENGINEERING. ARCHITECT OR OWNERS REPRESENTATIVE MUST VERIFY SUITABILITY OF DETAILS.