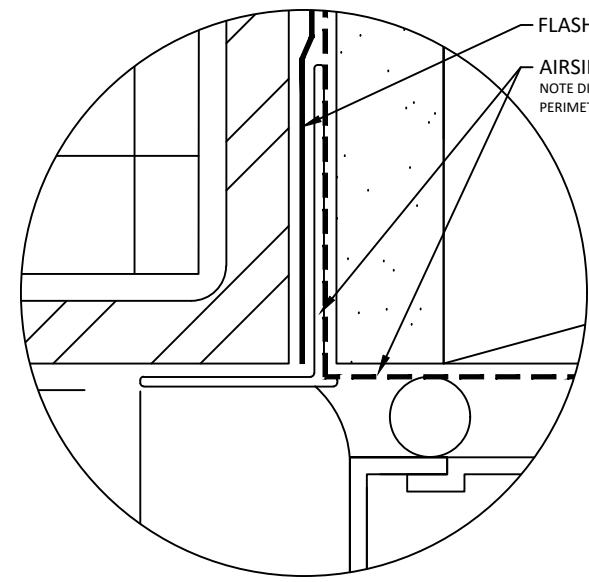
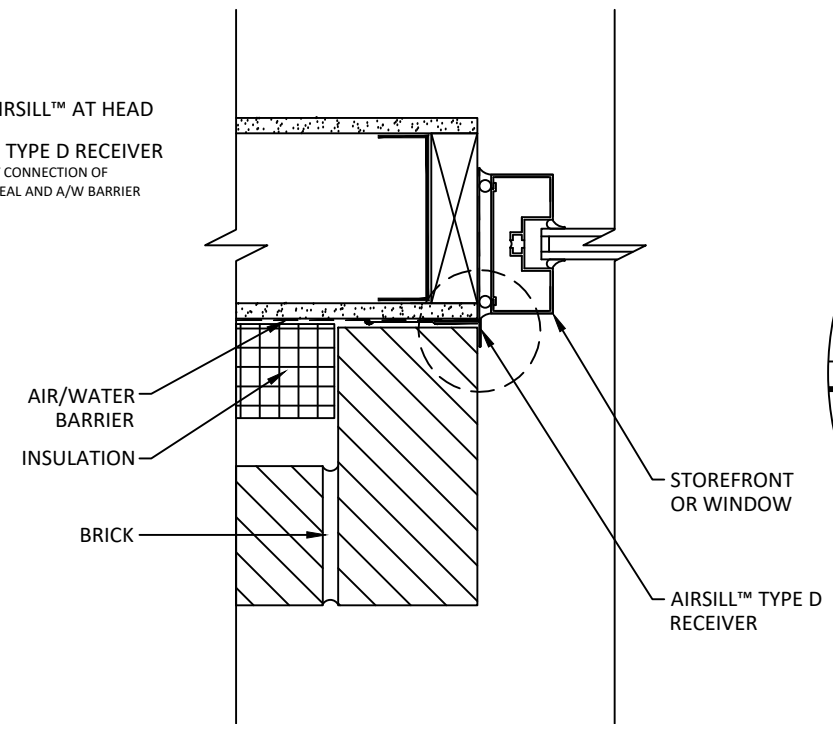


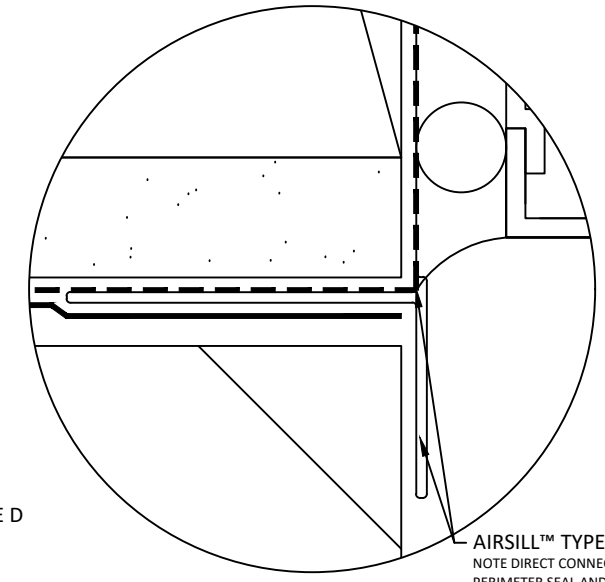
HEAD CONDITION



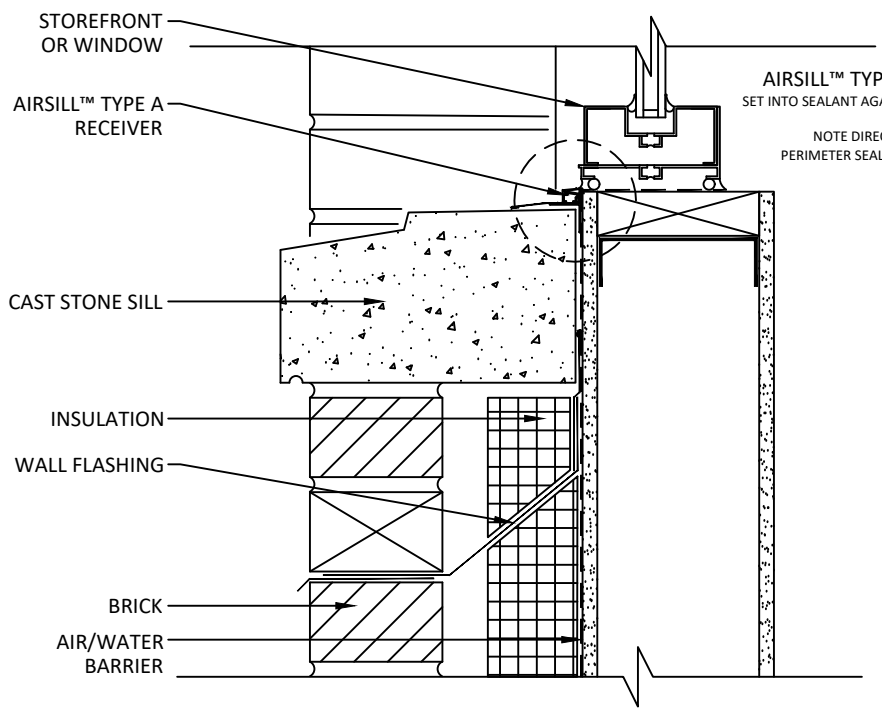
FLASH AIRSILL™ AT HEAD
AIRSILL™ TYPE D RECEIVER
NOTE DIRECT CONNECTION OF PERIMETER SEAL AND A/W BARRIER



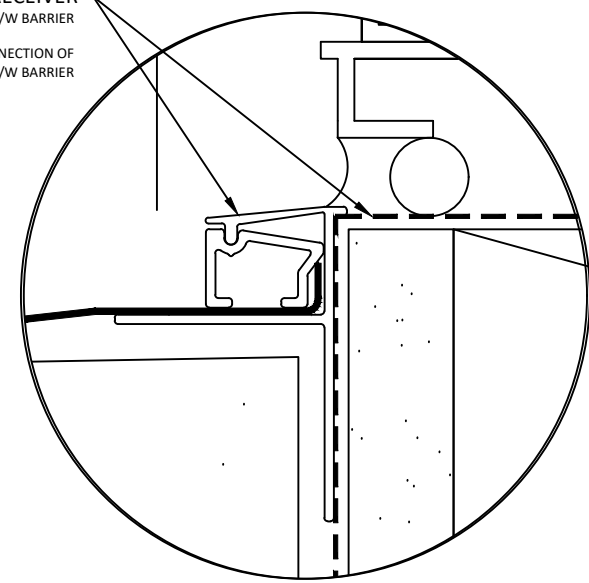
JAMB CONDITION



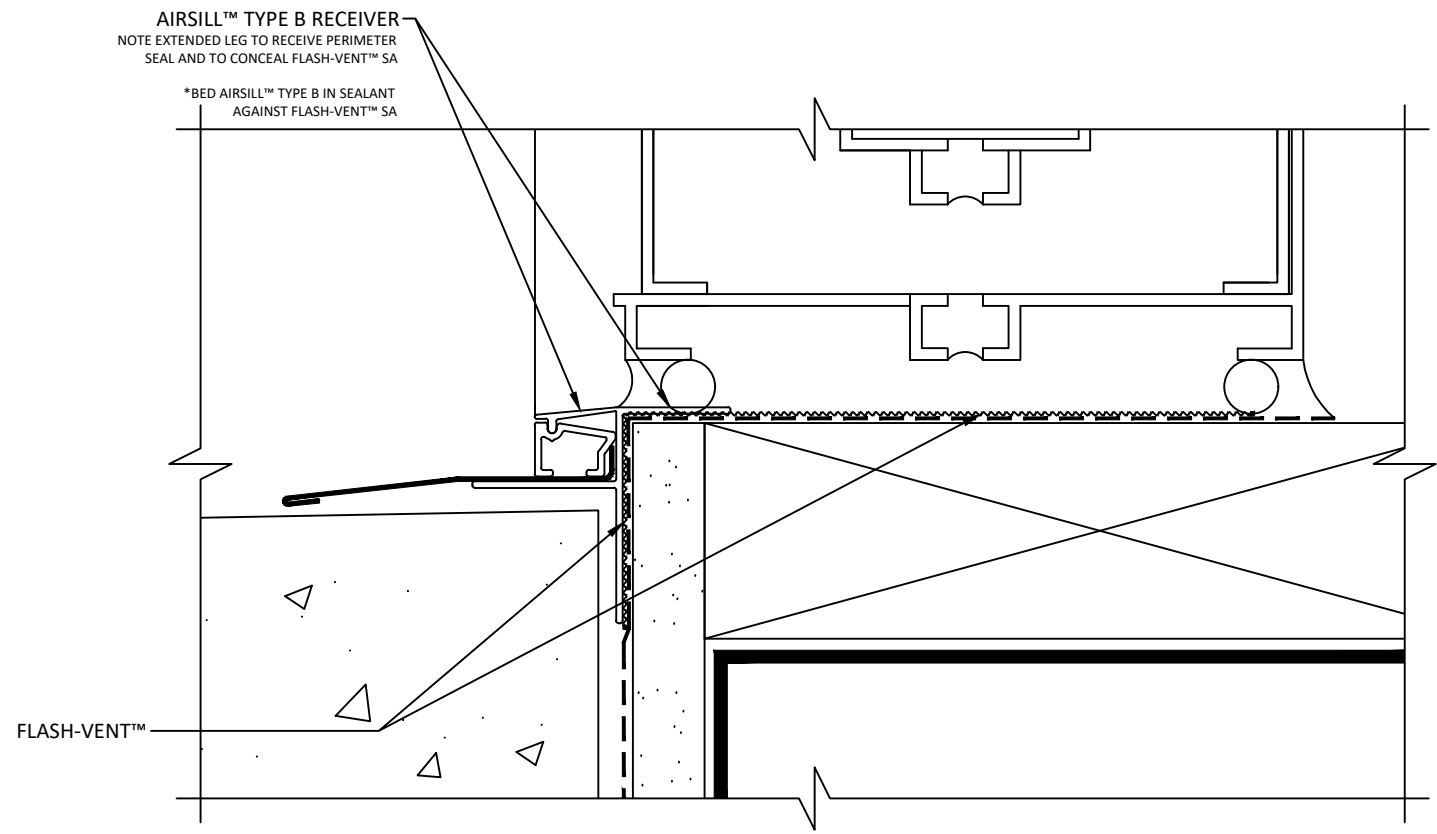
AIRSILL™ TYPE D RECEIVER
NOTE DIRECT CONNECTION OF PERIMETER SEAL AND A/W BARRIER



SILL CONDITION



AIRSILL™ TYPE A RECEIVER
SET INTO SEALANT AGAINST A/W BARRIER
NOTE DIRECT CONNECTION OF PERIMETER SEAL AND A/W BARRIER



ALTERNATE SILL OPTION - INCORPORATES YORK FLASH-VENT™

NOTE: REFERENCE THE FOLLOWING SHEETS FOR ADDITIONAL INFORMATION:

- AIRSILL™ TYPE A ELEVATIONS - STOREFRONT
- AIRSILL™ TYPE A INSTALLATION SEQUENCE (SILL)
- AIRSILL™ TYPE A INSTALLATION SEQUENCE (PERIMETER)

AS A MANUFACTURER OF CONSTRUCTION MATERIALS, YORK MANUFACTURING, DOES NOT ASSUME RESPONSIBILITY FOR ERRORS IN DESIGN OR ENGINEERING. ARCHITECT OR OWNERS REPRESENTATIVE MUST VERIFY SUITABILITY OF DETAILS.

BRICK OPTION E

AirSill™ Flashing Receiver