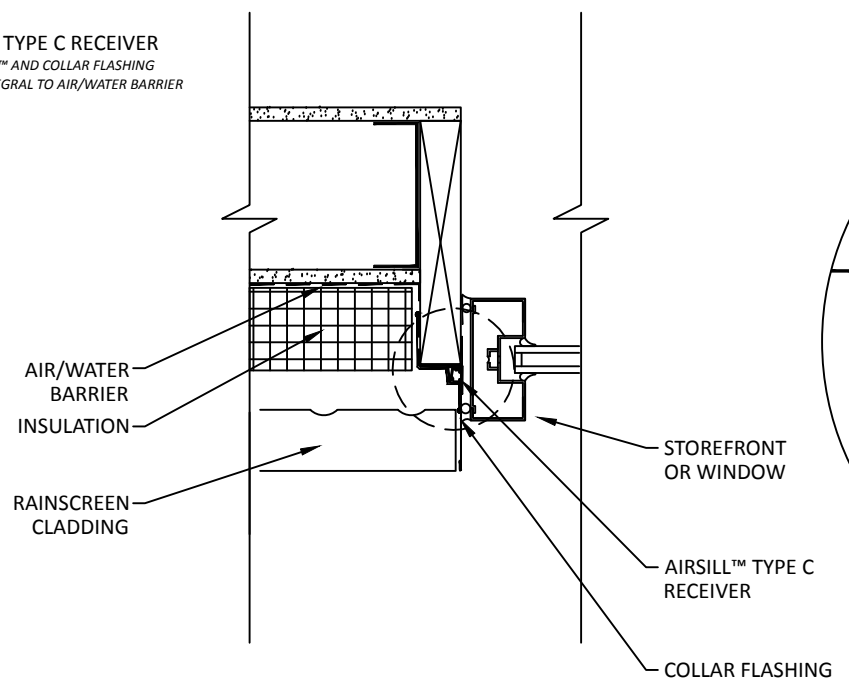
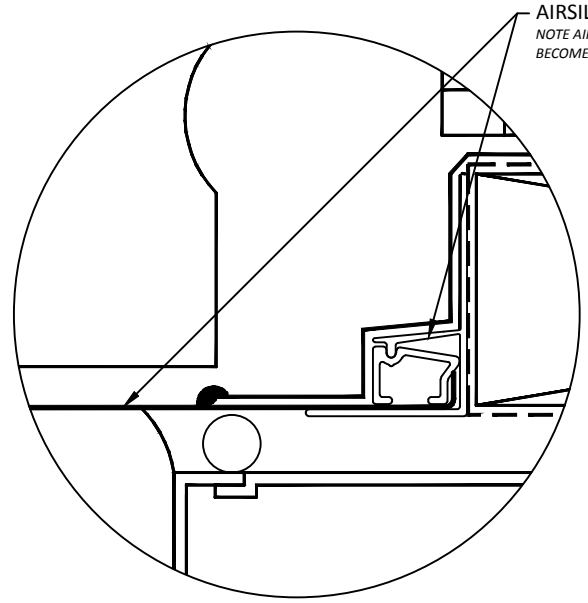
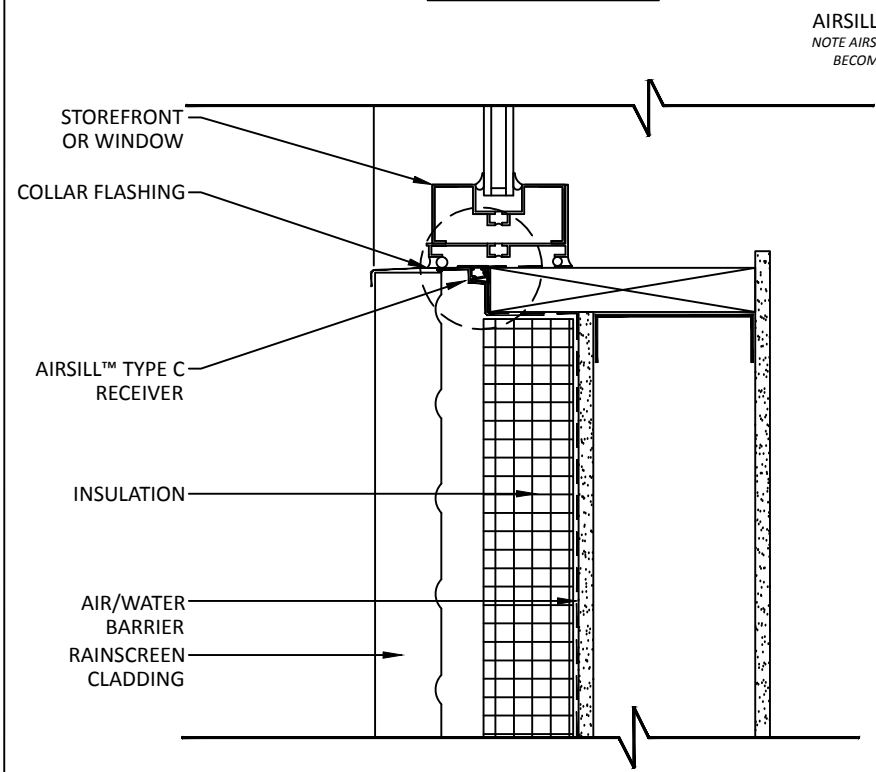
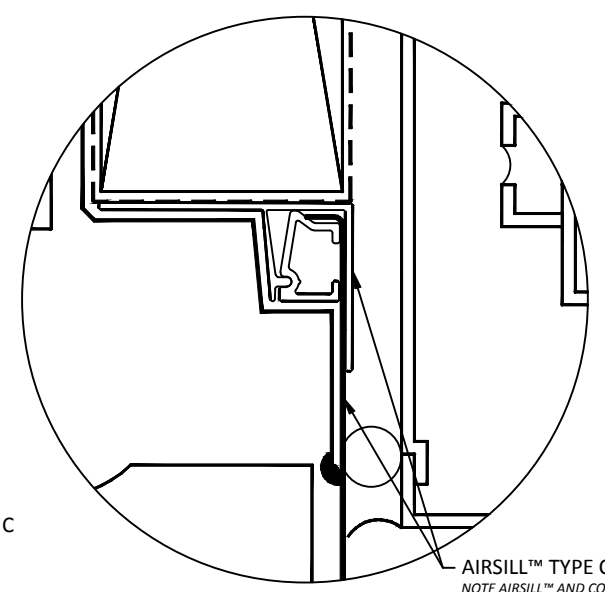


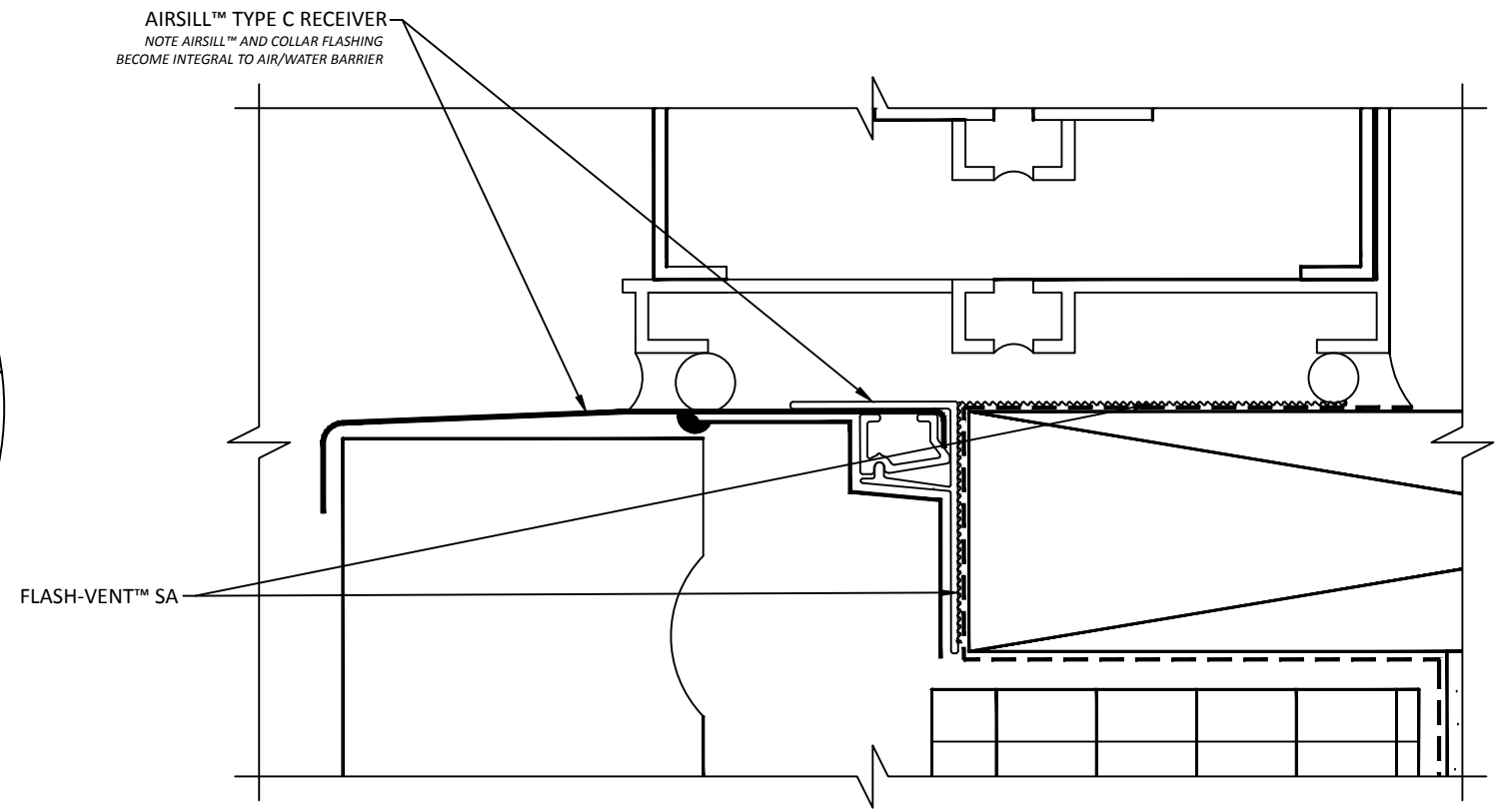
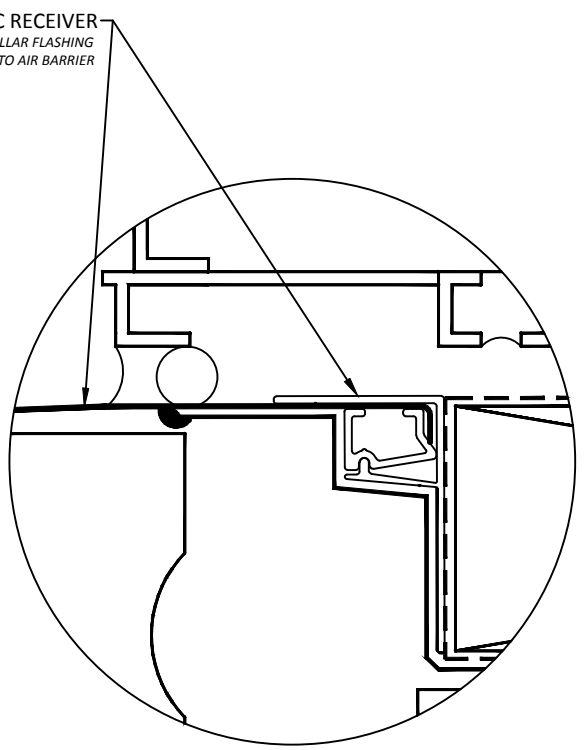
HEAD CONDITION



JAMB CONDITION



SILL CONDITION



ALTERNATE SILL OPTION - INCORPORATES YORK FLASH-VENT™

AS A MANUFACTURER OF CONSTRUCTION MATERIALS, YORK MANUFACTURING, DOES NOT ASSUME RESPONSIBILITY FOR ERRORS IN DESIGN OR ENGINEERING. ARCHITECT OR OWNERS REPRESENTATIVE MUST VERIFY SUITABILITY OF DETAILS.

RAINSCREEN OPTION C	AirSill™ Flashing Receiver
---------------------	-----------------------------------