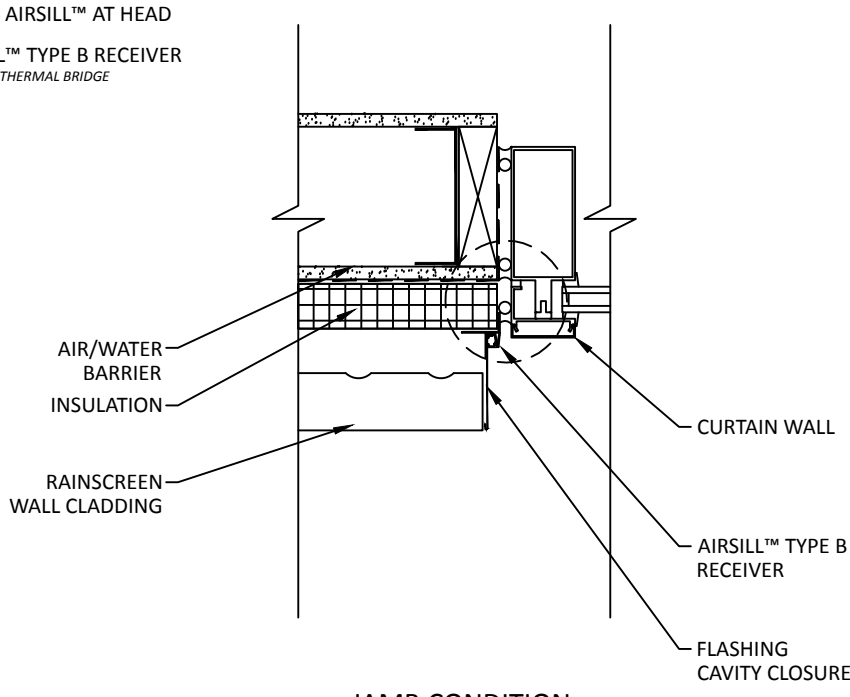
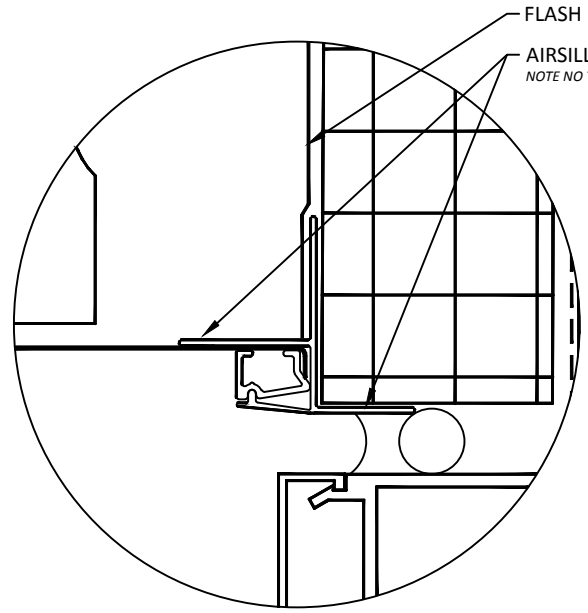
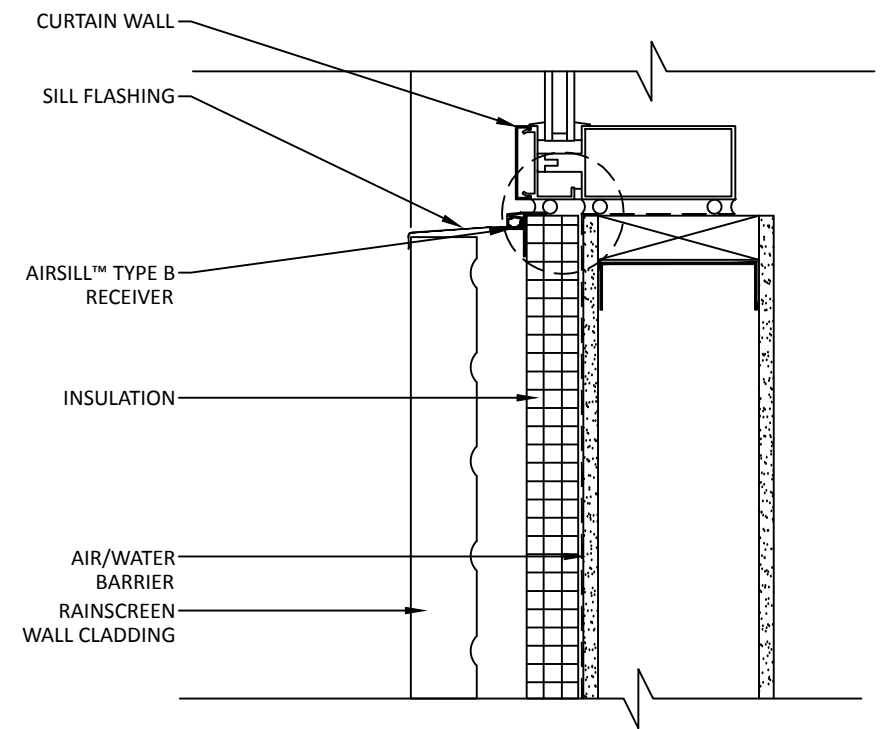
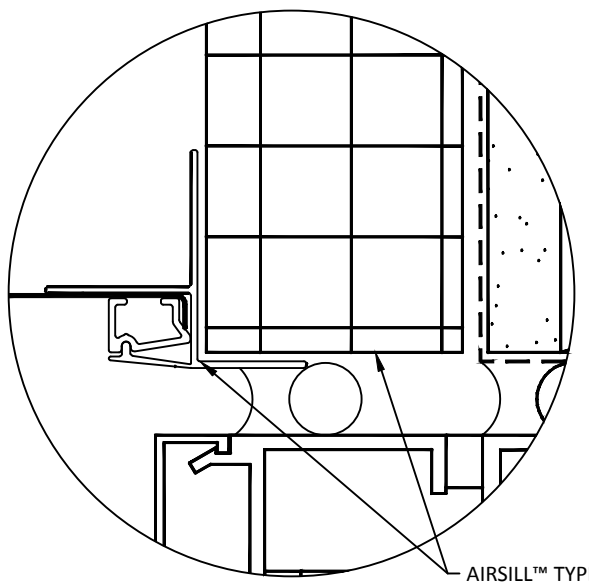


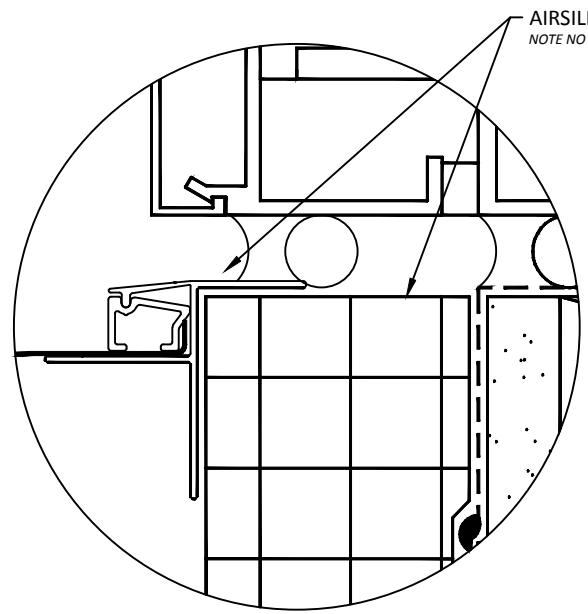
HEAD CONDITION



JAMB CONDITION



SILL CONDITION



AS A MANUFACTURER OF CONSTRUCTION MATERIALS, YORK MANUFACTURING, DOES NOT ASSUME RESPONSIBILITY FOR ERRORS IN DESIGN OR ENGINEERING. ARCHITECT OR OWNERS REPRESENTATIVE MUST VERIFY SUITABILITY OF DETAILS.

CW RAINSCREEN OPTION

AirSill™ Flashing Receiver