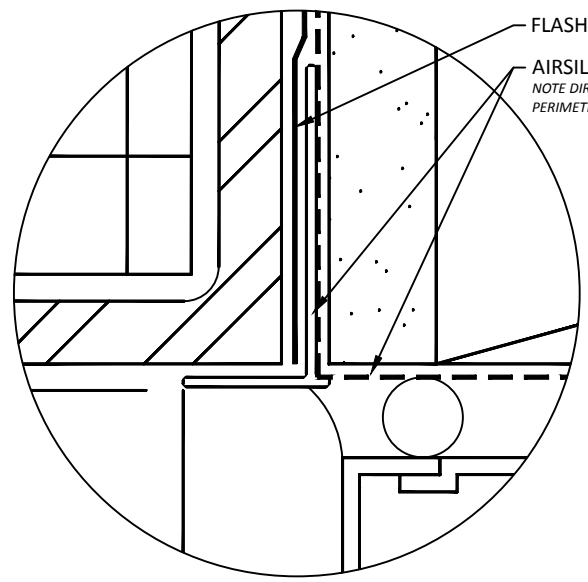
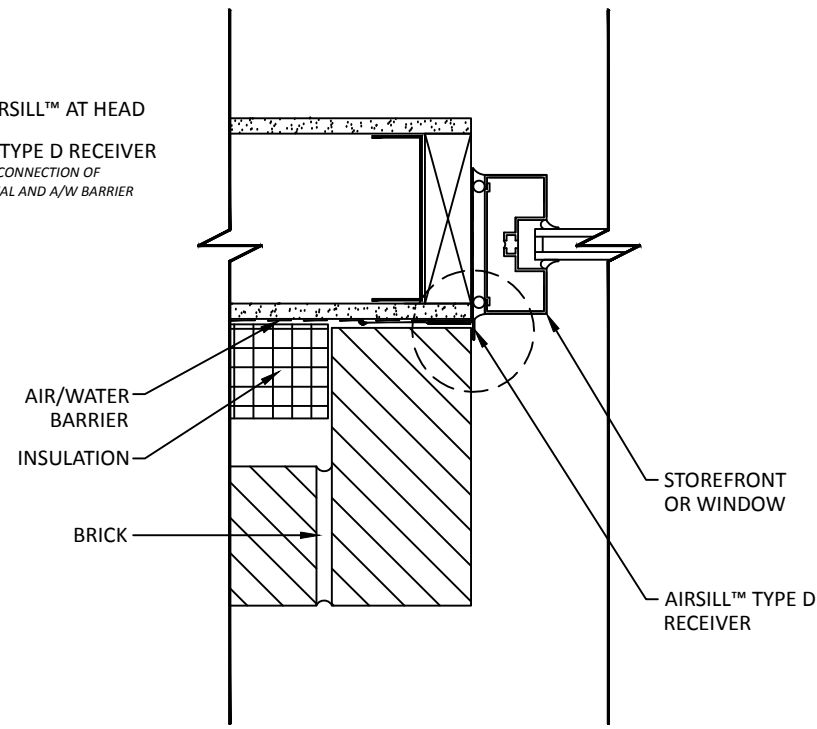


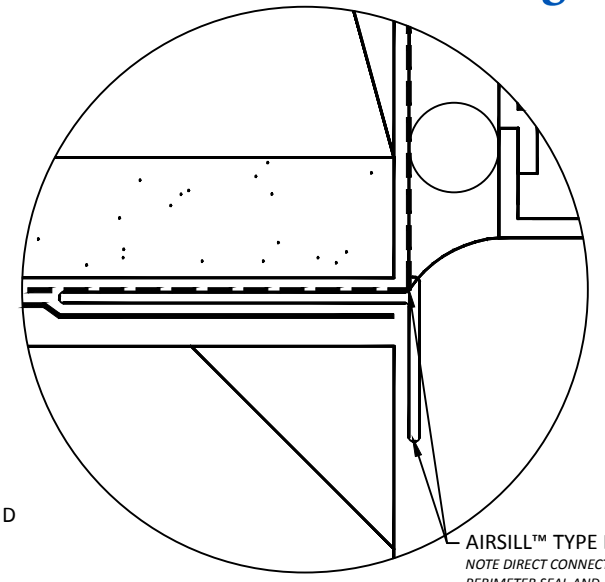
**HEAD CONDITION**



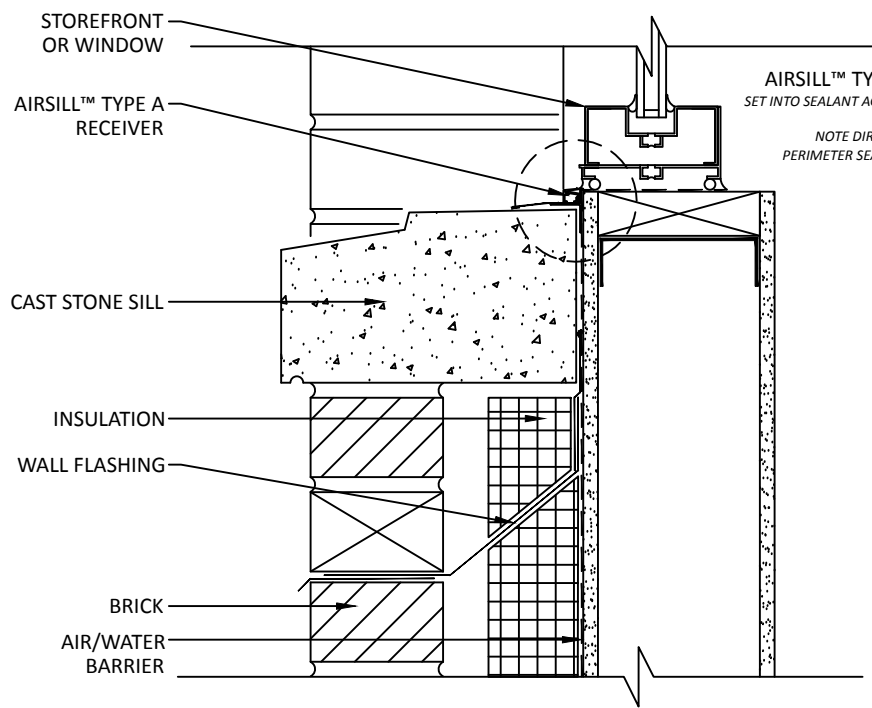
FLASH AIRSILL™ AT HEAD  
AIRSILL™ TYPE D RECEIVER  
NOTE DIRECT CONNECTION OF PERIMETER SEAL AND A/W BARRIER



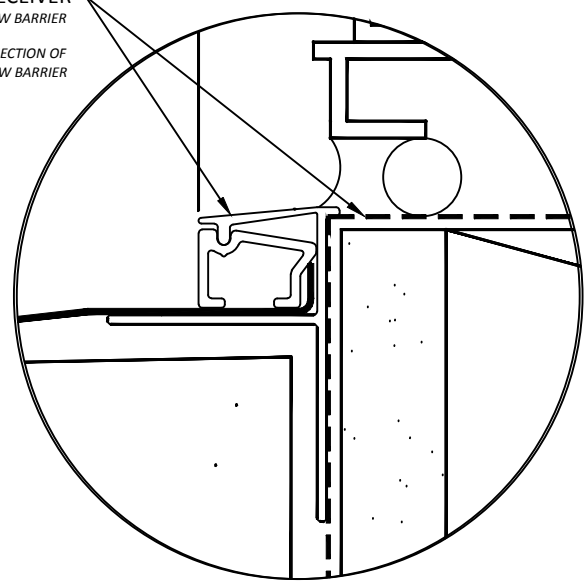
**JAMB CONDITION**



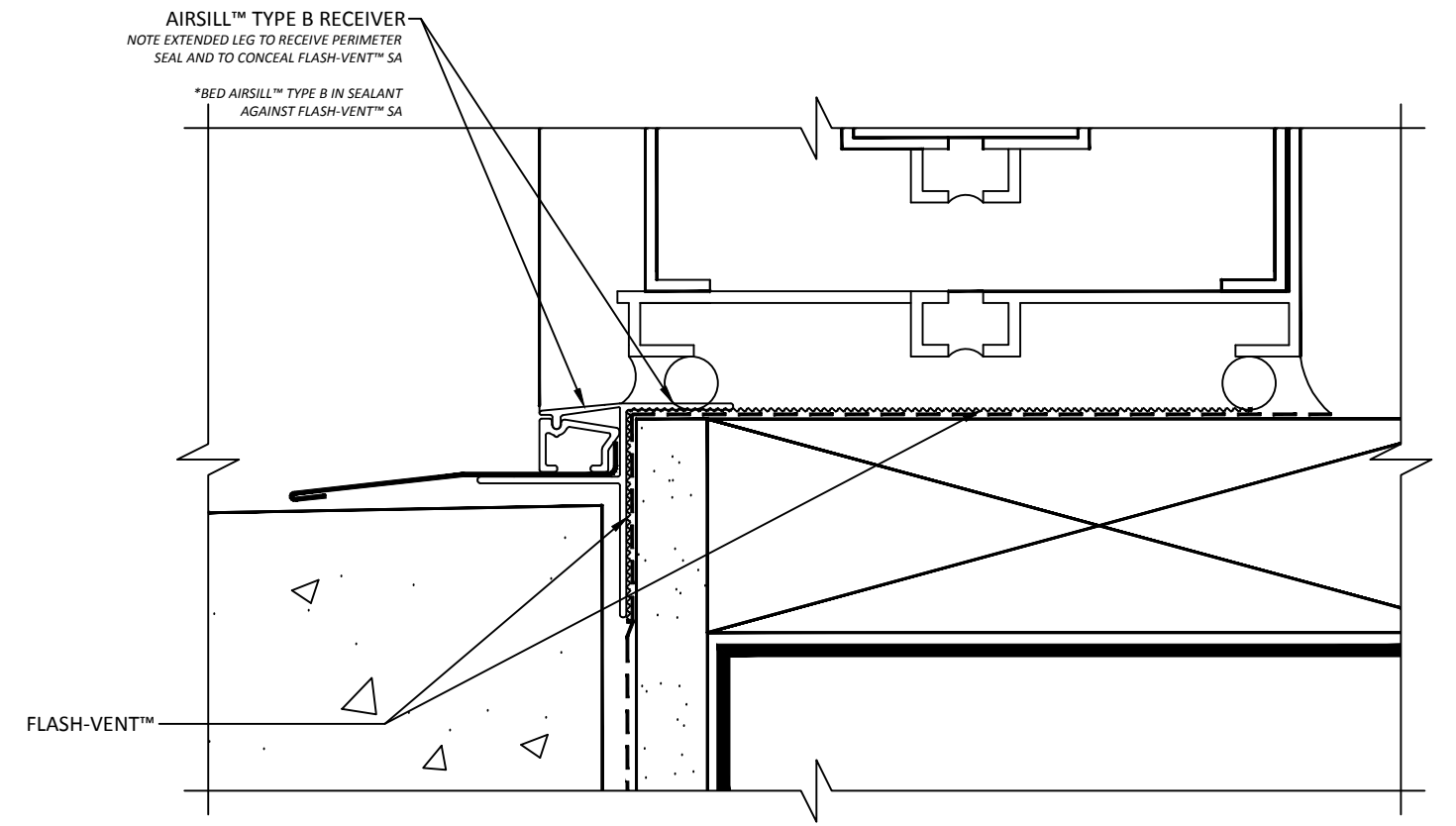
AIRSILL™ TYPE D RECEIVER  
NOTE DIRECT CONNECTION OF PERIMETER SEAL AND A/W BARRIER



**SILL CONDITION**



AIRSILL™ TYPE A RECEIVER  
SET INTO SEALANT AGAINST A/W BARRIER  
NOTE DIRECT CONNECTION OF PERIMETER SEAL AND A/W BARRIER



**ALTERNATE SILL OPTION - INCORPORATES YORK FLASH-VENT™**

AIRSILL™ TYPE B RECEIVER  
NOTE EXTENDED LEG TO RECEIVE PERIMETER SEAL AND TO CONCEAL FLASH-VENT™ SA  
\*BED AIRSILL™ TYPE B IN SEALANT AGAINST FLASH-VENT™ SA

**NOTE:** REFERENCE THE FOLLOWING SHEETS FOR ADDITIONAL INFORMATION:

- AIRSILL™ TYPE A ELEVATIONS - STOREFRONT
- AIRSILL™ TYPE A INSTALLATION SEQUENCE (SILL)
- AIRSILL™ TYPE A INSTALLATION SEQUENCE (PERIMETER)

AS A MANUFACTURER OF CONSTRUCTION MATERIALS, YORK MANUFACTURING, DOES NOT ASSUME RESPONSIBILITY FOR ERRORS IN DESIGN OR ENGINEERING. ARCHITECT OR OWNERS REPRESENTATIVE MUST VERIFY SUITABILITY OF DETAILS.

<b>BRICK OPTION E</b>	<b>AirSill™</b> Flashing Receiver
-----------------------	-----------------------------------