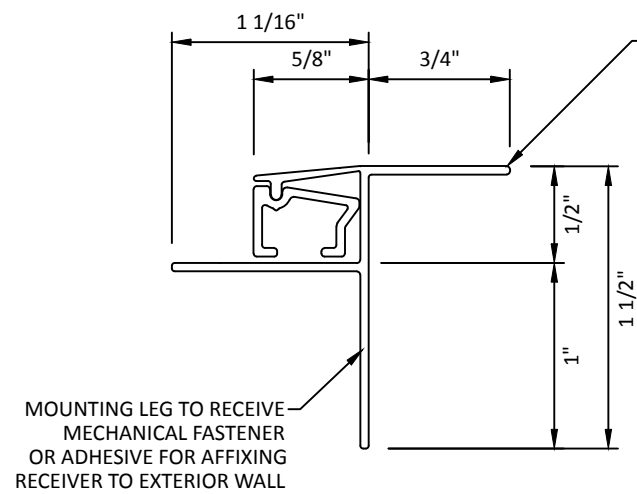


AIRSILL™ TYPE A

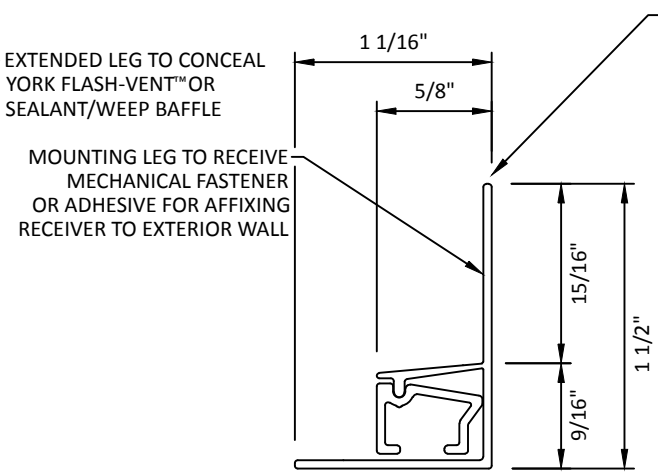
**THE AIR/WATER BARRIER CONCEALING LEG FACILITATES DIRECT CONNECTION OF FENESTRATION PERIMETER SEAL AND THE AIR/WATER BARRIER.*

**RECOMMENDED FOR SILL, JAMB AND HEAD FENESTRATION OPENING CONDITIONS.*



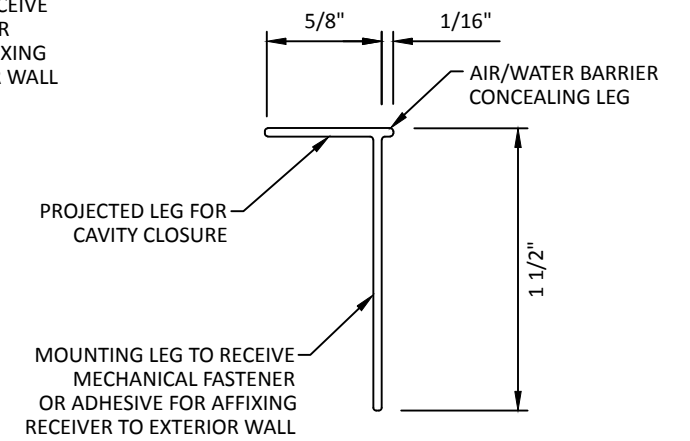
AIRSILL™ TYPE B

**AIRSILL™ TYPE B IS AN OPTIONAL RECEIVER SHAPE FOR SILL CONDITIONS IN LIEU OF AIRSILL™ TYPE A THAT FACILITATES THE USE OF YORK FLASH-VENT™ OR SEALANT BED WITH WEEP BAFFLES TO ACCOMMODATE MOISTURE DRAINAGE OUT OF THE FENESTRATION OPENING; THE EXTENDED LEG ALSO SERVES TO RECEIVE THE FENESTRATION PERIMETER SEAL.*



AIRSILL™ TYPE C

**AIRSILL™ TYPE C IS IDEAL FOR COLLAR FLASHING APPLICATIONS AT EXTERIOR WALL FENESTRATION OPENINGS. RECEIVER FACILITATES CONTINUOUS BRAKE METAL CORNERS.*



AIRSILL™ TYPE D

**AIRSILL™ TYPE D IS IDEAL FOR A CAVITY CLOSURE BETWEEN CLADDING AND BACK-UP WALL THAT FACILITATES DIRECT CONNECTION OF FENESTRATION PERIMETER SEAL AND THE AIR/WATER BARRIER.*

**RECOMMENDED FOR SILL, JAMB AND HEAD FENESTRATION OPENING CONDITIONS.*



AS A MANUFACTURER OF CONSTRUCTION MATERIALS, YORK MANUFACTURING, DOES NOT ASSUME RESPONSIBILITY FOR ERRORS IN DESIGN OR ENGINEERING. ARCHITECT OR OWNERS REPRESENTATIVE MUST VERIFY SUITABILITY OF DETAILS.