



# Flash-Vent™

## Manufactured Stone, Stucco, and Thin Brick Drainage System

### Key Properties

- Stainless steel flashing and drainage plane
- Will not clog with mortar
- Easily formed to make end dams
- Anti microbial
- Wicking fabric matches grey mortar
- Low profile and non staining
- Easy to install
- 60% recycled product ♻️
- Life of the wall warranty



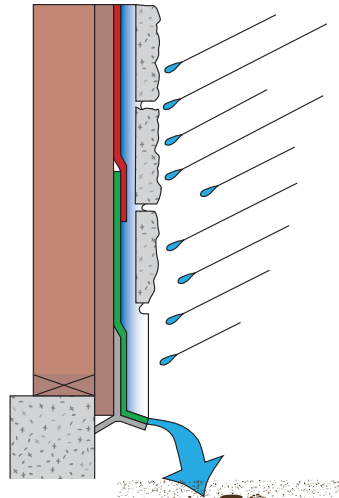
### Applications

- All exterior veneer penetrations and terminations
- Wall to foundation transitions
- Window sills and headers
- Deck terminations
- Cladding transitions to stone, stucco or thin brick
- Columns and wall bases
- Above ground stucco or plaster terminations

### Installation

- Install **Flash-Vent™** with soft fabric side facing out.
- Apply a 3/8" bead of **US-100™** sealant on the back side of **Flash-Vent™** at or near top edge.
- Place **Flash-Vent™** on top of first weather resistant barrier (WRB) and staple or fasten near top edge.
- Lap second WRB a minimum of 3" over **Flash-Vent™** concealing fasteners.
- If needed continue second WRB from under **Flash-Vent™** downward.
- Bring **Flash-Vent™** out to the exterior edge of the veneer and trim if needed.

(See drawings on reverse side)

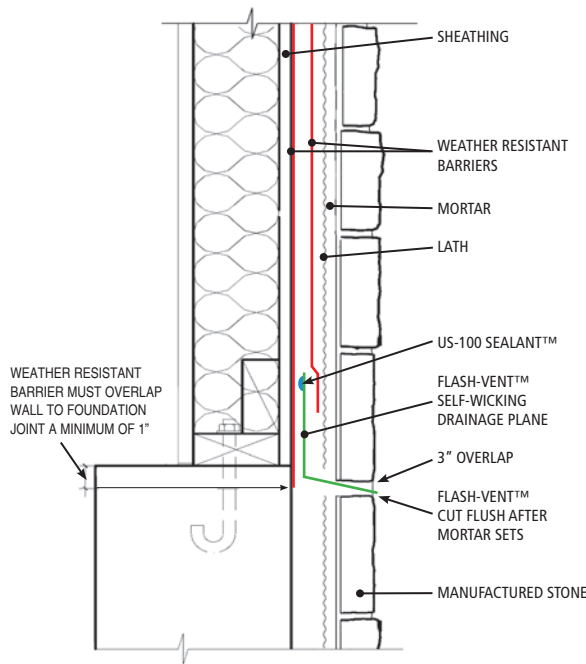


Available in:  
12", 18", 24", and 36" x 40'

Active Drainage Planes

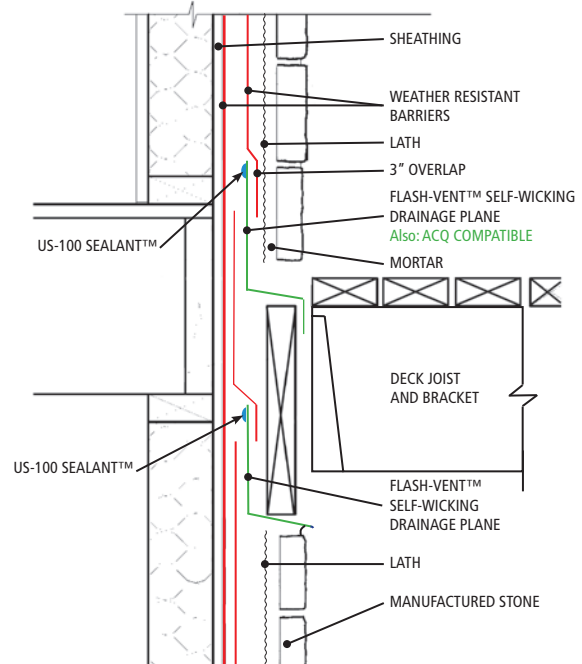
Drawings Have Been Expanded For Clarity

WALL TO FOUNDATION TRANSITION



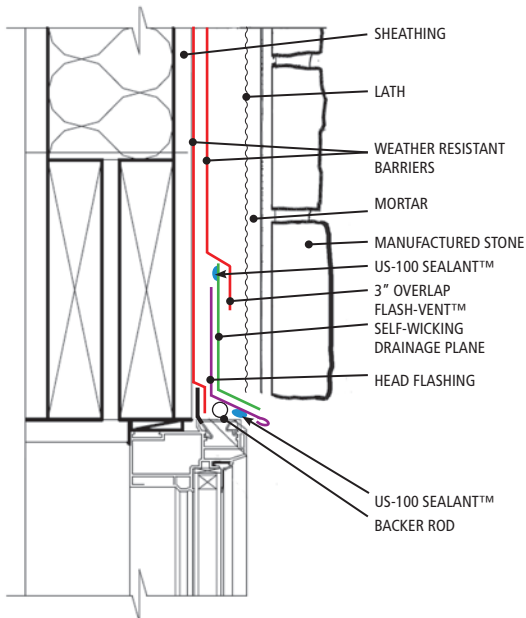
WEATHER RESISTANT BARRIER FLASH-VENT™ US-100 SEALANT™

DECK TERMINATION



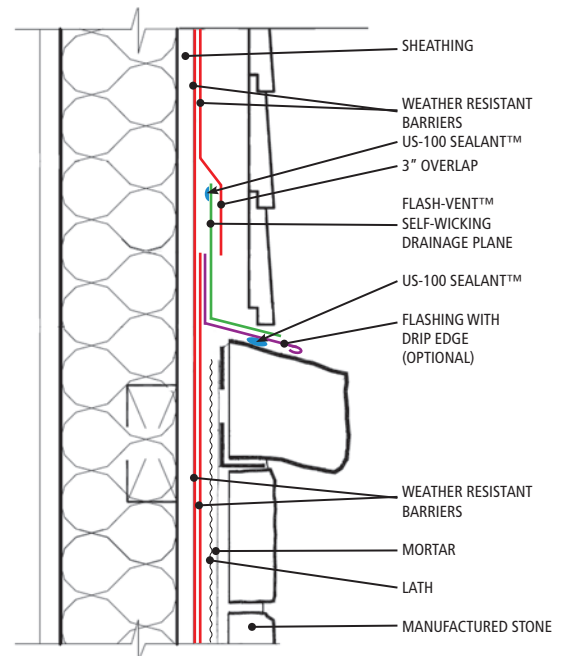
WEATHER RESISTANT BARRIER FLASH-VENT™ US-100 SEALANT™

WINDOW HEAD



WEATHER RESISTANT BARRIER FLASH-VENT™ FLASHING WITH DRIP EDGE US-100 SEALANT™

CLADDING TRANSITION



WEATHER RESISTANT BARRIER FLASH-VENT™ FLASHING WITH DRIP EDGE US-100 SEALANT™

To learn more or place an order now, call your nearest dealer or York at 1-800-551-2828.

