



Hydra-Vent™

Water Resistant Barrier and Active Drainage Plane Combined For Manufactured Stone, Stucco and Thin Brick

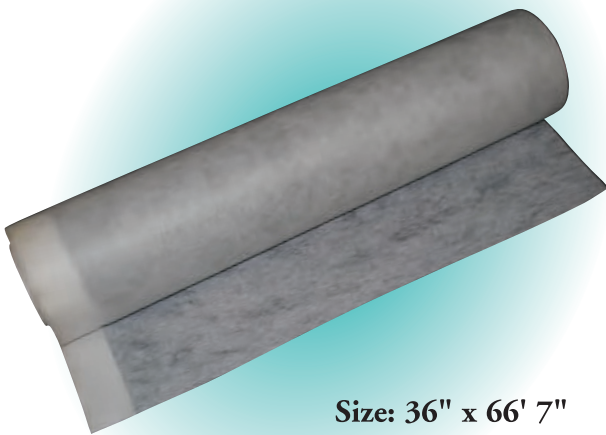
Key Properties

Active Drainage Plane

- Quickly transports water to flashings and screed exit points
- Creates a capillary break to equalize pressure within the wall unit
- Will not clog with mortar
- Will not support mold growth

Polymeric Water Resistant Barrier

- Allows water vapor to escape from interior walls
- Reduces the loss of heated or cooled air from the wall cavity
- Resistant to chemicals, cleaners and cedar oil
- ICC-ES Meets AC38 (ESR-2235)



Size: 36" x 66' 7"
200 SQ FT

Benefits

- One step installation of water resistant barrier and drainage plane
- Installs like conventional water resistant barriers
- No need for thickness shimming around doors and windows
- No need to install insect barrier

Installation

- Grey fabric faces out.
- Apply first water resistant barrier according to local codes.
- Apply Hydra-Vent™ **after** installation of doors, windows and related flashings.
- Starting at the bottom horizontal course install Hydra-Vent™ with grey fabric facing out and 3" overlapping edge at the top, fasten with staples or nails according to local building codes.
- Trim Hydra-Vent™ around windows, doors, vents and penetrations.

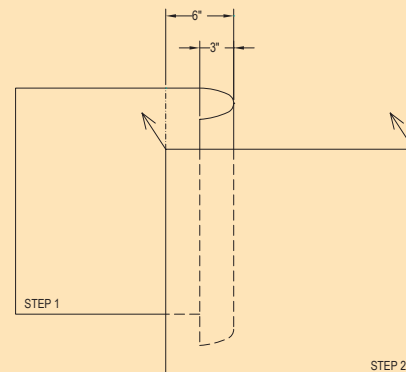
Corners

- Start Hydra-Vent™ a minimum of 12" away from corners.
- Install lath on top of Hydra-Vent™ for stucco, stone or thin brick applications.

Vertical Laps

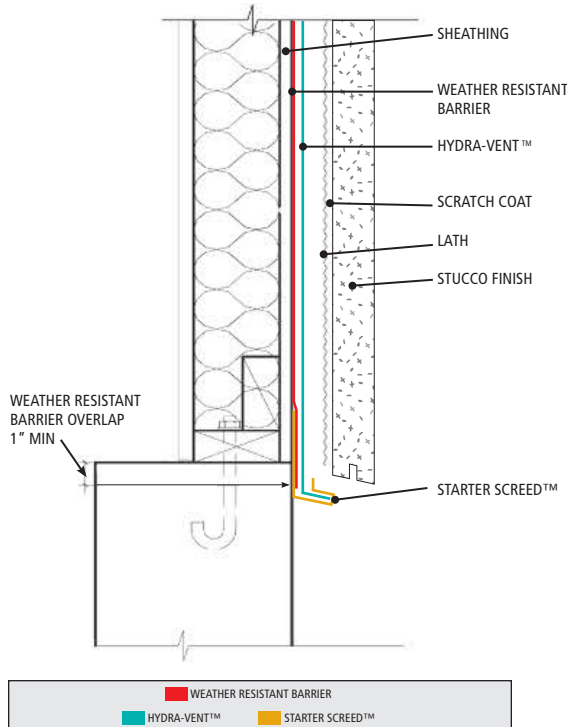
Step 1 Fold the ending vertical section of Hydra-Vent™ onto itself a minimum of 3" and staple.

Step 2 Continue with next roll of Hydra-Vent™ vertically lapping previous fold 6".

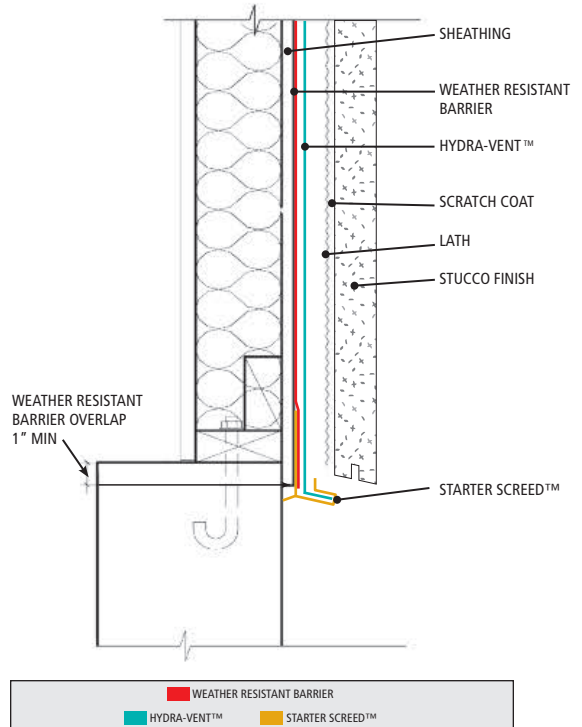


Drawings Have Been Expanded For Clarity

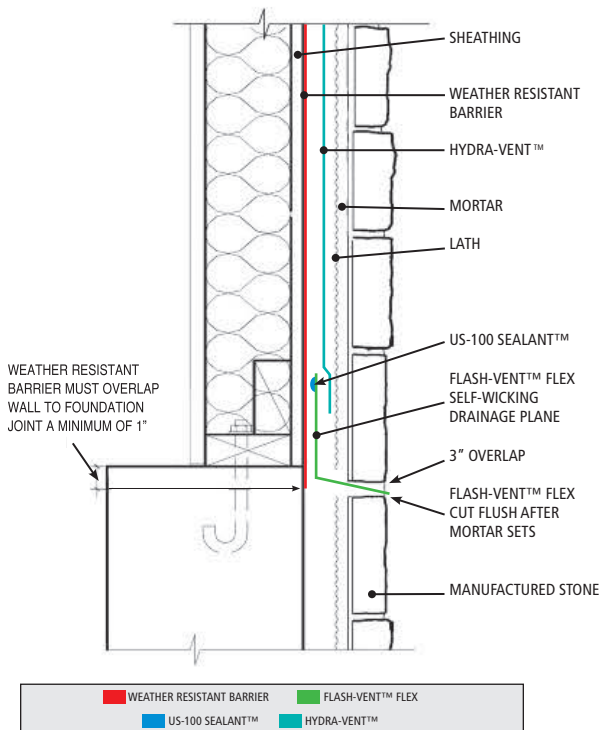
**STUCCO WALL TO FOUNDATION TERMINATION
(EXTERIOR SHEATHING IS FLUSH WITH FOUNDATION)**



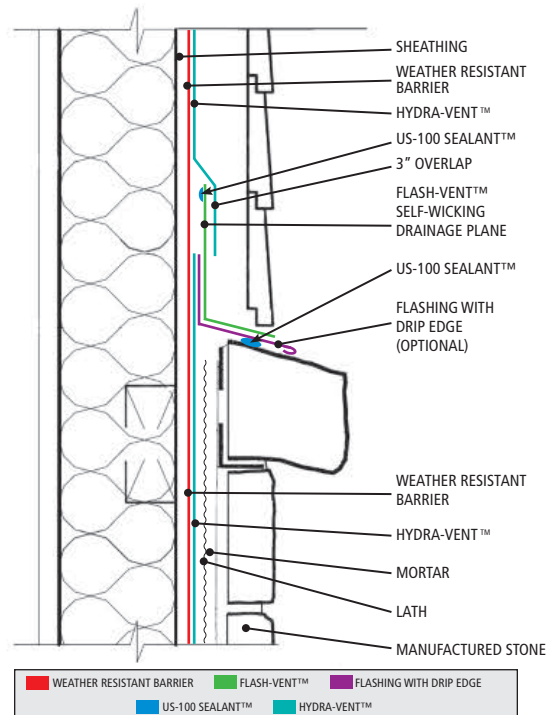
**STUCCO WALL TO FOUNDATION TERMINATION
(EXTERIOR SHEATHING IS OVER FOUNDATION)**



WALL TO FOUNDATION TRANSITION



CLADDING TRANSITION



To learn more or place an order, call your nearest dealer or York at 1-800-551-2828